



Pump Model - version

K 12/200 T - N.4.- -

Company Name
Reference
Phone
Fax
E-mail

Receiver

From

Serial Number

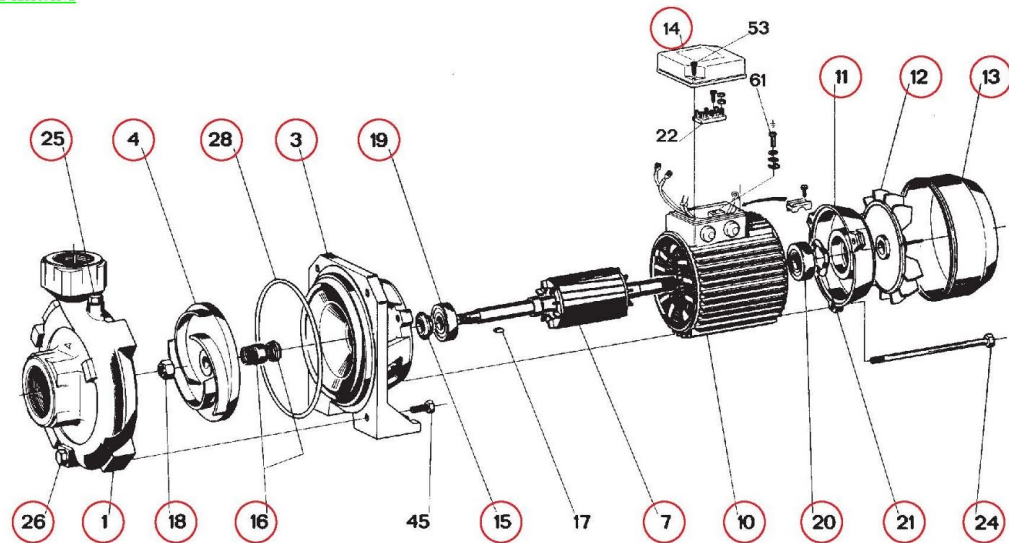
Attention: check the correspondence
with the serial number of the pump.

K 12/200 T - N.4.- - @ 103110010_c

K 12/200 T @ 103110010

Item	Q.ty	Item no.	Description	Unit pr.
1	1	148120150	PUMP BODY	
3	1	161450060	MOTOR/PUMP SUPPORT	
4	1	150760240	IMPELLER D.119,5 GFN2	
7	1	145000110	&SHAFT W/ROT . K12/200-K30/70M	
10	1	130642120	MOTOR MEC71 H80 230/400/50-60	
11	1	164030020	MEC 71 MOTOR COVER	
12	1	160760240	FAN MEC71	
13	1	164200010	MEC 71 FUN COVER	
14	1	147120300	MEC 63-71 TERM.-BOX COV. W/GASK. IP55	
15	1	168360010	D.15 SPLASH GUARD MEC 63/71	
16	1	148620440	COMPLETE MECH.SEAL D.15	
18	1	002520538	HEX.NUT AUTOBL.M10 INOX UNI7474	
19	1	002310103	6302-2RSH D.15X42X13 BEARING	
20	1	002310102	6202-2RSH D.15X35X11 BEARING	
21	1	002570001	LMKAS D.35B THRUST WASHER	
24	3	167100010	MEC 71 M5 X 135 MOTOR TIE ROD	
25	1	168420010	PRIMING PLUG 1/4" BRASS	
26	1	168420000	PRIMING PLUG 1/8" BRASS	
28	1	002220367	OR-4525 132,94X 3,53 NBR	
84	1	147120220	CABLE GLAND PG11 OPEN ASS.Y	

NON INTERACTIVE



Project

Project ID

Created by

Created on
05/03/2013

Last update
05/03/2013